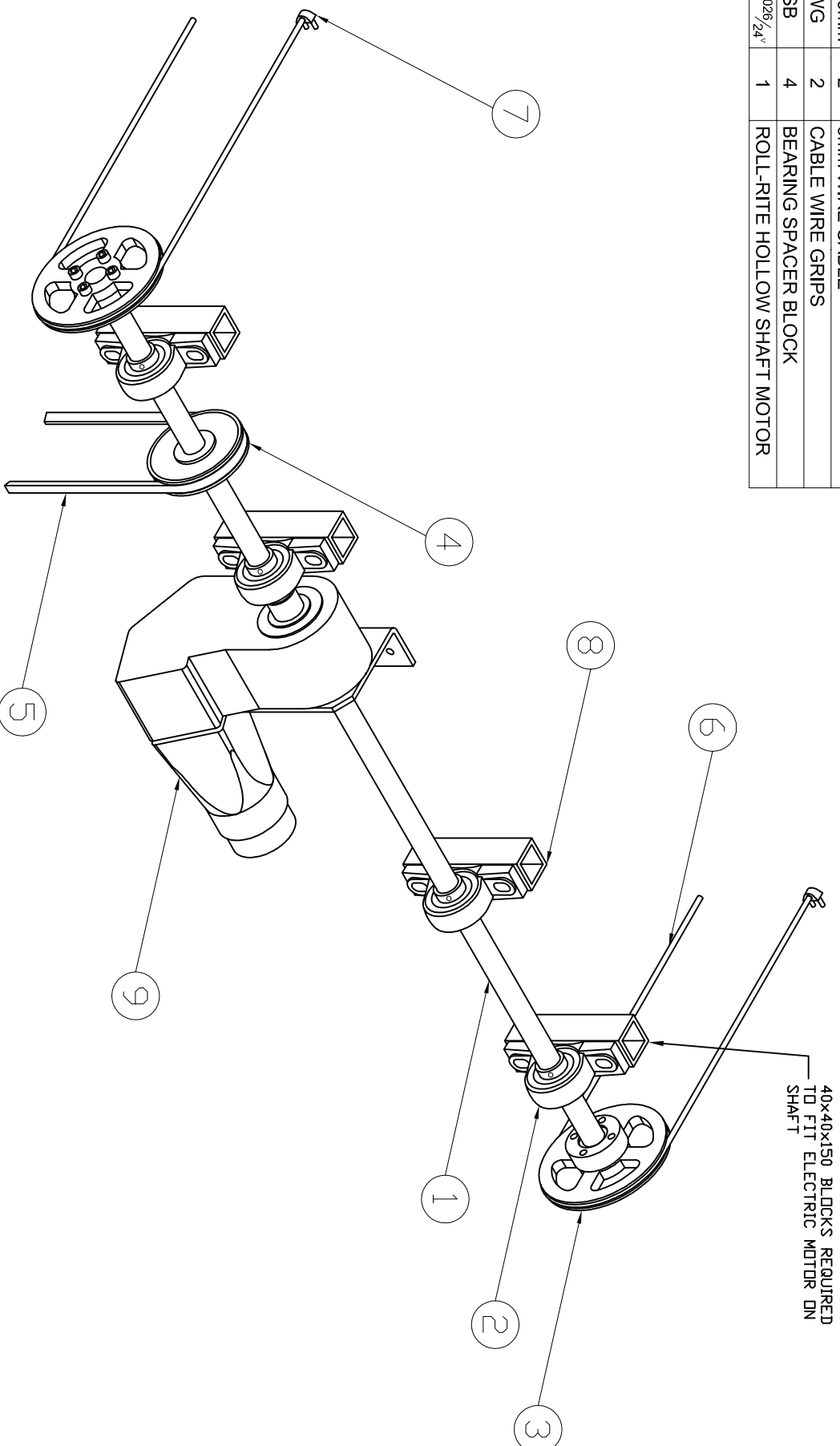


### Parts List

ITEM	Part No.	QTY	DESCRIPTION
1	HT-SSDS001	1	STAINLESS STEEL DRIVE SHAFT
2	HT-SSDS002	4	BEARING & HOUSING
3	HT-SSDS004A	2	WIRE PULLEY WITH TAPER LOCK -150
4	HT-SSDS005B	1	ALLOY V-BELT PULLEY -.4"
5	HT-DB	1	DRIVE BELT
6	HT-GCA6mm	2	6mm WIRE CABLE
7	HT-CWG	2	CABLE WIRE GRIPS
8	HT-BSB	4	BEARING SPACER BLOCK
9	1025/1/2" OR 1026/24"	1	ROLL-RITE HOLLOW SHAFT MOTOR



**TIPPER TARPS**  
LOAD COVER SYSTEMS